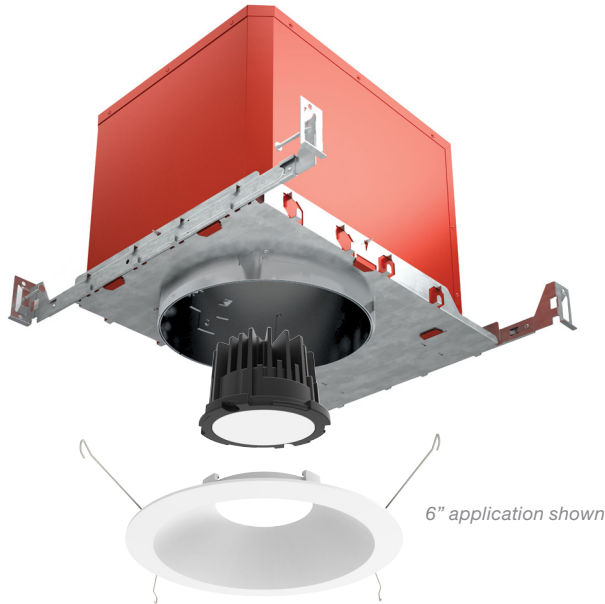


PRODUCT SPECIFICATIONS



- Fire Rated: UL Listed fire resistance rated for up to two hours
- Sound Rated: Constructed to dampen unwanted noise
- 1500 & 2000 lumen outputs
- 2700K, 3000K, 3500K, 4000K CCT
- 0-10V or Lutron Hi-lume 1% dimming
- IC rated, cULus Listed, ENERGY STAR® qualified, Title 24 compliant, UL Fire Listed, UL Listed for Wet Location, ASTM E283 certified Air Tight

Frame-in Kit

HOUSING: Fire and sound-rated housing. Up to 120 minute fire rated L500 (floor-ceiling) & P500 (roof-ceiling) design. Die formed #24 gauge galvanized steel construction. Snap on galvanized cover. Non-combustible matt insulation.

JUNCTION BOX: Pre-wired #18 gauge galvanized steel junction box with (7) 1/2" knockouts and (4) Romex® knockouts and removable plates. Supplied with quick connectors for easy installation. Through branch wiring maximum of (8) #12 AWG 90°C branch circuit connectors (four-in, four-out).

MOUNTING: Pre-installed adjustable bar hangers engineered to accommodate lumber, laminated beams and T-bar.

CEILING: 1/2" up to 1".

CUTOUT: 5 3/4" (5" frame-in kit), 6 3/8" (6" frame-in kit).

Light Engine

LED: Next generation Cree® chip-on-board LED.

LUMEN OUTPUT (POWER): 1500 lm (19.5W), 2000 lm (29.0W).

COLOR QUALITY: 90+ CRI, 2-step SDCM.

CCT OPTIONS: 2700K, 3000K, 3500K, 4000K.

CONNECTOR: PowerPlug® Luminaire Disconnect Model 182.

INPUT VOLTAGE: 120/277V.

DIMMING: Down to less than 1% for 0-10V or Lutron Hi-lume® 1% at 120/277V.

EMERGENCY LIGHTING: Optional Emergency LED Driver for lighting up to 90 minutes in event of power failure. Access above ceiling required.

LIFETIME: 50,000 hours at 70% lumen maintenance.

PHOTOMETRIC TESTING: Tested in accordance to IESNA LM-79-2008.

LISTINGS: cULus Listed. IC rated. ENERGY STAR® qualified. California Title 24 JA8 compliant. ASTM E283 certified Air Tight. Fire Rated. STC/IIC Sound Rated. UL Listed for Wet location.

WARRANTY: 5 year limited warranty.

Trim

CONSTRUCTION: Die-cast aluminum. Twist & Lock mounting allows easy tool-free field installation and tight ceiling fit.



| | | |
|---------------|----------|-------|
| Product Code: | Type: | |
| Project: | Contact: | Date: |



PRODUCT SELECTION GUIDE

FRAME-IN KIT (Product Code Example: **F5L150**)

| APERTURE | FIRE RATING | DRIVER | OPTION |
|------------------------|-----------------------------------|---|--|
| F5L 5" Aperture | [Blank] 1 Hour Fire Rating | 15O 0-10V, 1500 lm | [Blank] None |
| F6L 6" Aperture | 2 2 Hour Fire Rating | 20O 0-10V, 2000 lm 15C Lutron LDE1 ¹ , 1500 lm 20C Lutron LDE1 ¹ , 2000 lm 15W Lutron L3DA3W ² , 1500 lm 20W Lutron L3DA3W ² , 2000 lm | EM Emergency Driver <i>Access above ceiling required</i> |

LIGHT ENGINE (Product Code Example: **DCD1M15927A**)

| PRODUCT CODE | LUMENS (WATTS) | CRI | CCT | CONSTRUCTION |
|---------------------|--|------------------|--|---------------------------------|
| DCD1M Module | 15 1500 lm (19.5W) 20 2000 lm (29.0W) | 9 90+ CRI | 27 2700K 30 3000K 35 3500K 40 4000K | A Alternate Construction |

TRIM (Product Code Example: **DRD2TR5SWH**)

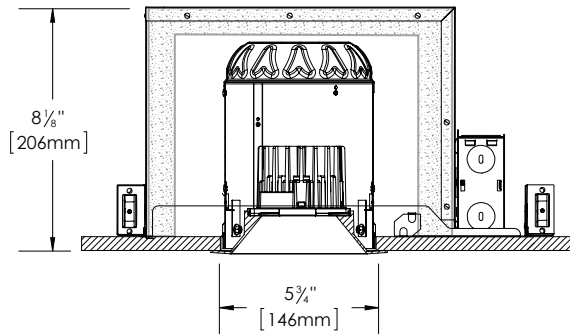
| PRODUCT CODE | SHAPE | APERTURE | STYLE | FINISH |
|-------------------|---|--|---|---|
| DRD2T Trim | R Round D Deep <i>Only available in 6" aperture; smooth or baffle style; white, low iridescent or custom finish</i> | 5 5" Aperture 6 6" Aperture | S Smooth B Baffle W Wall Wash <i>Only available in white finish</i> | WH White BK Black SW Silver Reflector, White Flange AZ Low Iridescent Reflector, White Flange <i>Only available in deep shape</i> CC Custom Color |

¹ Lutron LDE1 Dimming refers to Lutron Hi-lume 1% EcoSystem LED driver with Soft-on, Fade-to-Black™

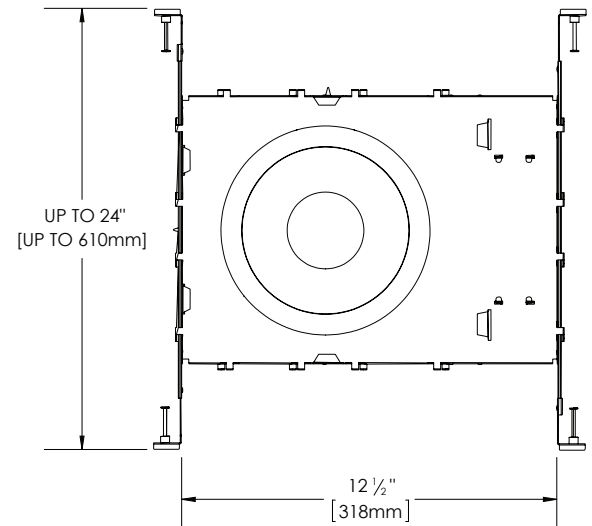
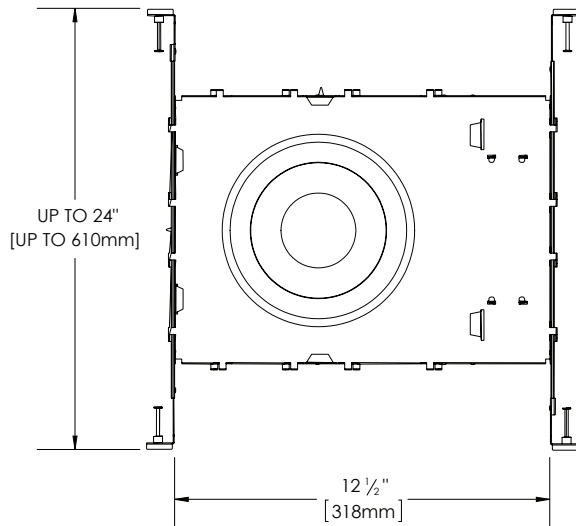
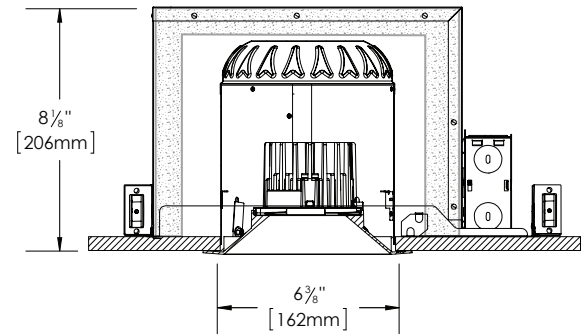
² Lutron L3DAE Dimming refers to Lutron Hi-lume 1% 3-wire LED driver

FRAME-IN KIT DIMENSIONS

F5L
5" Fire Rated Housing

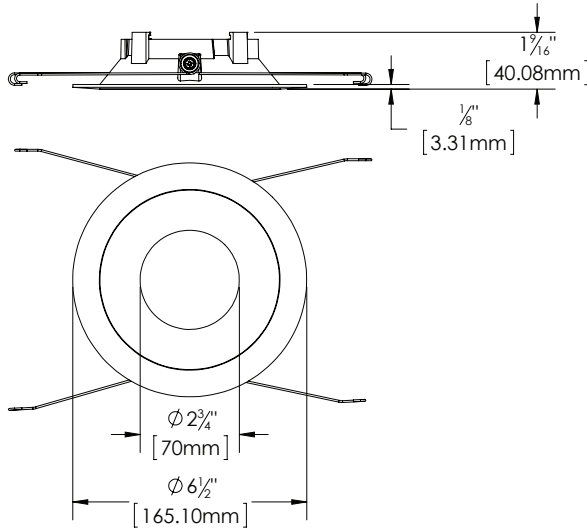


F6L
6" Fire Rated Housing

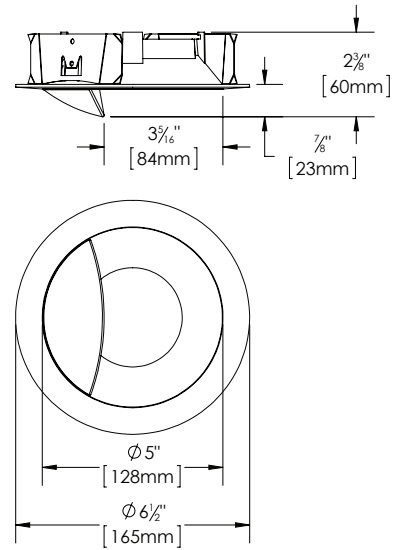


TRIM DIMENSIONS

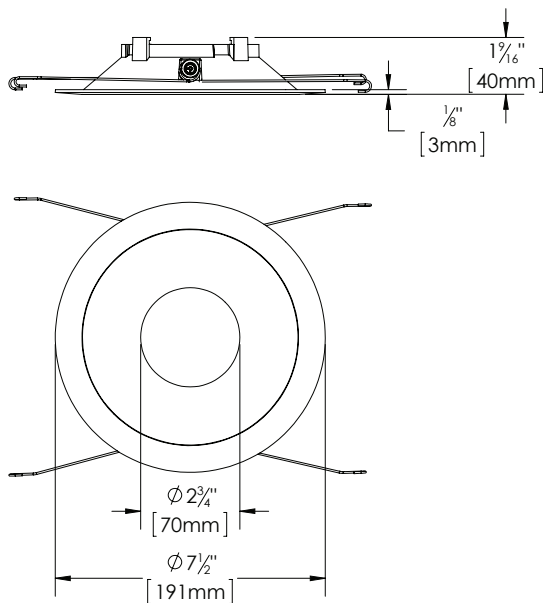
DRD2TR5
5" Round Trim



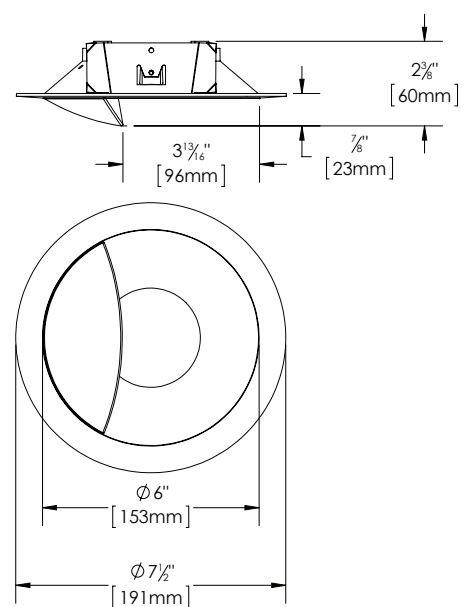
DRD2TR5W
5" Wall Wash Trim



DRD2TR6
6" Round Trim

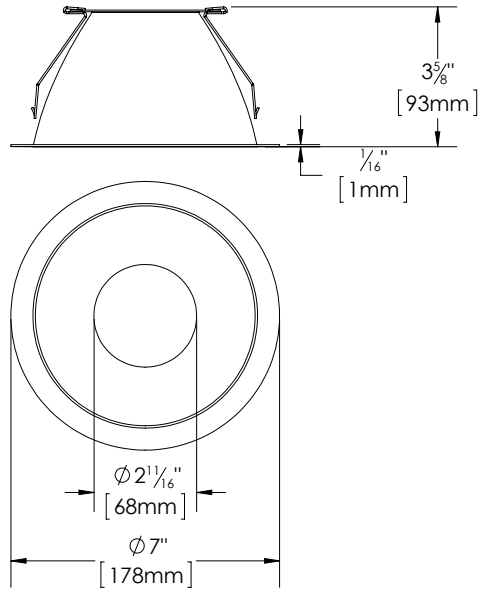


DRD2TR6W
6" Wall Wash Trim

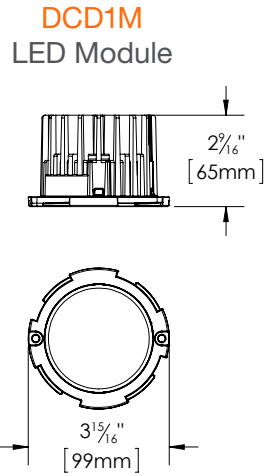


TRIM DIMENSIONS

DRD2TD6
6" Deep Trim



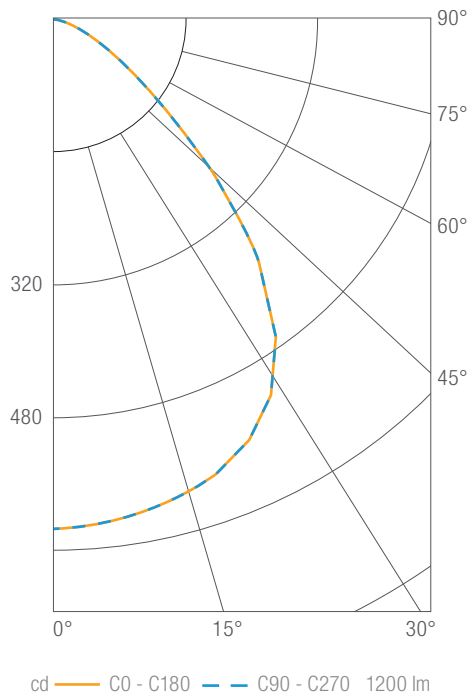
LIGHT ENGINE OVERVIEW



| | DCD1M10 | DCD1M15 | DCD1M20 |
|-----------------------------------|--|---------|---------|
| Total Module Lumen Output (lm) | 1000 | 1500 | 2000 |
| Total Rated Power (W) | 13.6 | 19.5 | 29.0 |
| Efficacy (lm/W) | 74 | 77 | 69 |
| Color Rendering Index | 90+ | | |
| CCT Options | 2700K, 3000K, 3500K, 4000K | | |
| Optics | Flood | | |
| Binning | 2-step SDCM | | |
| Lifetime (L70) | 50,000 hours | | |
| Max Ambient Operating Temperature | 40°C | | |
| Input Voltage (V) | 38VDC (light engine), 120 or 277VAC (luminaire), 50/60Hz | | |
| Input Current at 120V (Max) | 0.20A | 0.26A | 0.37A |
| Input Current at 277V (Max) | 0.10A | 0.12A | 0.16A |
| Power Factor | >0.9 | | |
| Total Harmonic Distortion | <20% | | |
| Dimming | 100% - 5% (TRIAC/ELV), 100% - 10% (0-10V), 100% - 1% (Lutron Hi-lume 1%) | | |

PHOTOMETRICS

Light Engine: **DCD1M10930A** (DCD1 Module, 1000 lm, 90 CRI, 3000K)
Trim: **DRD2TR6SWH** (DRD2 Trim, 6" Aperture, Smooth, White)



Luminous Intensity

| Gamma | C 0° |
|-------|------|
| 0° | 618 |
| 5° | 615 |
| 10° | 609 |
| 15° | 598 |
| 20° | 584 |
| 25° | 563 |
| 30° | 528 |
| 35° | 471 |
| 40° | 391 |
| 45° | 293 |
| 50° | 197 |
| 55° | 129 |
| 60° | 85 |
| 65° | 55 |
| 70° | 31 |
| 75° | 15 |
| 80° | 7 |
| 85° | 3 |
| 90° | 0 |

Values in candela

Zonal Lumen Summary

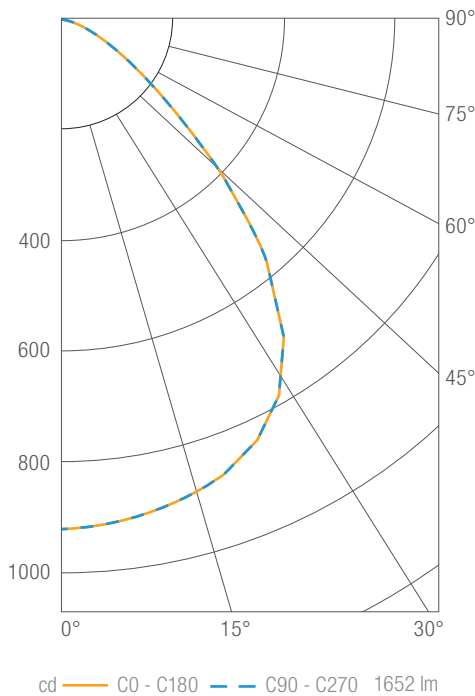
| Zone | Lumens | Luminaire % |
|-------|--------|-------------|
| 0-30 | 486 | 41 |
| 0-40 | 777 | 65 |
| 0-60 | 1123 | 94 |
| 0-90 | 1200 | 100 |
| 0-180 | 1200 | 100 |

Illuminance Chart

| Distance from LED | Foot Candles | Diameter |
|-------------------|--------------|----------|
| 3.0' | 69 | 5.8' |
| 6.0' | 17 | 11.6' |
| 9.0' | 8 | 17.4' |
| 12.0' | 4 | 23.3' |

Beam Angle: 88°

Light Engine: **DCD1M15930A** (DCD1 Module, 1500 lm, 90 CRI, 3000K)
Trim: **DRD2TR6SWH** (DRD2 Trim, 6" Aperture, Smooth, White)



Luminous Intensity

| Gamma | C 0° |
|-------|------|
| 0° | 851 |
| 5° | 847 |
| 10° | 838 |
| 15° | 824 |
| 20° | 804 |
| 25° | 775 |
| 30° | 727 |
| 35° | 649 |
| 40° | 539 |
| 45° | 403 |
| 50° | 272 |
| 55° | 178 |
| 60° | 117 |
| 65° | 75 |
| 70° | 42 |
| 75° | 20 |
| 80° | 10 |
| 85° | 4 |
| 90° | 0 |

Values in candela

Zonal Lumen Summary

| Zone | Lumens | Luminaire % |
|-------|--------|-------------|
| 0-30 | 669 | 41 |
| 0-40 | 1070 | 65 |
| 0-60 | 1546 | 94 |
| 0-90 | 1652 | 100 |
| 0-180 | 1652 | 100 |

Illuminance Chart

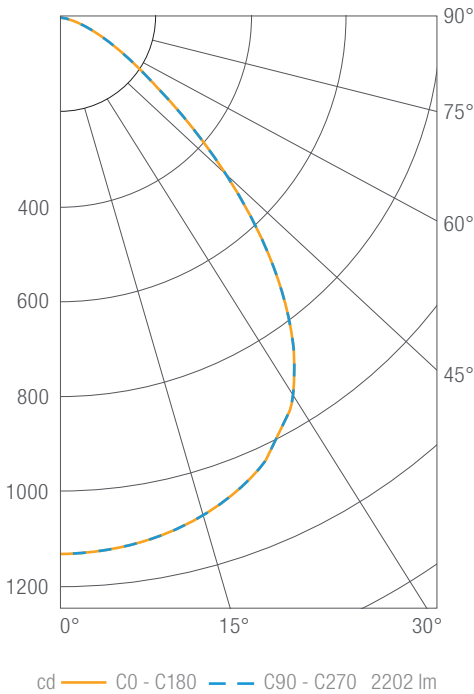
| Distance from LED | Foot Candles | Diameter |
|-------------------|--------------|----------|
| 3.0' | 95 | 5.8' |
| 6.0' | 24 | 11.6' |
| 9.0' | 11 | 17.4' |
| 12.0' | 6 | 23.3' |

Beam Angle: 88°

PHOTOMETRICS

Light Engine: **DCD1M20930A** (DCD1 Module, 2000 lm, 90 CRI, 3000K)

Trim: **DRD2TR6SWH** (DRD2 Trim, 6" Aperture, Smooth, White)



Luminous Intensity

| Gamma | C 0° |
|-------|------|
| 0° | 1135 |
| 5° | 1129 |
| 10° | 1117 |
| 15° | 1098 |
| 20° | 1072 |
| 25° | 1033 |
| 30° | 969 |
| 35° | 865 |
| 40° | 718 |
| 45° | 538 |
| 50° | 362 |
| 55° | 237 |
| 60° | 156 |
| 65° | 100 |
| 70° | 56 |
| 75° | 27 |
| 80° | 13 |
| 85° | 5 |
| 90° | 0 |

Values in candela

Zonal Lumen Summary

| Zone | Lumens | Luminaire % |
|-------|--------|-------------|
| 0-30 | 892 | 41 |
| 0-40 | 1426 | 65 |
| 0-60 | 2062 | 94 |
| 0-90 | 2202 | 100 |
| 0-180 | 2202 | 100 |

Illuminance Chart

| Distance from LED | Foot Candles | Diameter |
|-------------------|--------------|----------|
| 3.0' | 126 | 5.8' |
| 6.0' | 32 | 11.6' |
| 9.0' | 14 | 17.4' |
| 12.0' | 8 | 23.3' |

Beam Angle: 88°

Light Engine: **DCD1Mxx927A, DCD1Mxx935A, DCD1Mxx940A**

Trim: **DRD2TR6SWH** (DRD2 Trim, 6" Aperture, Smooth, White)

CCT Scaling

| DCD1Mxx927A (2700K) | DCD1Mxx930A (3000K) | DCD1Mxx935A (3500K) | DCD1Mxx940A (4000K) |
|------------------------|------------------------|------------------------|------------------------|
| 0.93 | 1.00 | 1.00 | 1.07 |



DIMMER COMPATIBILITY

Recommended Phase-control Dimmers (Dims down to 5% nominal measured light output)

| Brand | Series | Model Number | Max Load DCD1M10 | Max Load DCD1M15 | Max Load DCD1M20 |
|----------|--------------------------|---|------------------|------------------|------------------|
| Cooper | Decorator | DLC03P, DAL06P | 17 | 10 | 8 |
| Legrand | Adorne | ADTP703TU | 28 | 17 | 14 |
| Lutron | Caseta | PD-6WCL | 9 | 6 | 4 |
| | CL Series | AYCL-153, CTCL-153, DVCL-153, LGCL-513, SCL-153, TGCL-513 | 9 | 5 | 4 |
| | CL Series | DVCL-253 | 15 | 9 | 7 |
| | Grafik Eye 3000 | QSGR-3P | 18 | 13 | 9 |
| | Grafik Sys / Homeworks | RPM-4U | 18 | 11 | 9 |
| | Grafik Sys / Homeworks | RPM-4A | 20 | 13 | 10 |
| | Maestro | MA-600 | 9 | 5 | 4 |
| | Maestro CL | MACL-153M, MSCL-OP153M, MSCL-VP153M | 9 | 5 | 4 |
| | Maestro ELV | MAELV-600, MSCELV-600 | 26 | 16 | 13 |
| | Maestro Wireless | MRF2-6ELV, MRF2-6CL, MRF2-6ND | 9 | 6 | 4 |
| Radio RA | RRD-6NA, RRD-6CL, RRD-6D | 9 | 6 | 4 | |

Compatible Phase-control Dimmers¹ (Dims down to 20% nominal measured light output)

| Brand | Series | Model Number | Max Load DCD1M10 | Max Load DCD1M15 | Max Load DCD1M20 |
|--------------|--------------------------|-----------------------|------------------|------------------|------------------|
| Cooper | Aspire | 9573 | 17 | 10 | 8 |
| | Slide | SLC03P, SAL06P | 17 | 10 | 8 |
| Legrand | Harmony | H703PTU, HCL453P | 25 | 14 | 12 |
| Leviton | IllumaTech Slide | IPE04 | 18 | 11 | 9 |
| | SureSlide | 6621, 6674 | 8 | 5 | 4 |
| Lutron | Diva | DV-600 | 8 | 5 | 4 |
| | Skylark | S-600, SLV-600 | 9 | 6 | 4 |
| | Skylark | S-1000 | 14 | 8 | 7 |
| | Skylark ELV | SELV-300 | 19 | 11 | 9 |
| Lightolier | Sunrise | SR400RPC120, ZP260QEW | 15 | 9 | 7 |
| Watt Stopper | Digital Light Management | LMRC-221 | 132 | 97 | 68 |
| | Dimming Sensor | PW-100D | 47 | 29 | 23 |

¹ Dimmer compatibility reflects performance compatibility only. Please reference your local codes for application.



DIMMER COMPATIBILITY

Recommended 0-10V Dimmers (Dims down to 10% nominal measured light output)

| Brand | Series | Model Number | Max Load DCD1M10 | Max Load DCD1M15 | Max Load DCD1M20 |
|--------------|-----------------------|--------------|---------------------|---------------------|---------------------|
| Legrand | Titan | CD4FB | 138 | 97 | 71 |
| Leviton | IllumaTech | IP710-DLZ | 65 | 46 | 34 |
| Lithonia | Synergy | ISD BC | 65 | 46 | 34 |
| Lutron | Diva | DVTV | 103 | 73 | 54 |
| | Nova | NFTV | 154 | 110 | 78 |
| | Nova | NTSTV-DV | 137 | 105 | 76 |
| Watt Stopper | Micro Decorator Style | DCLV1 | 192 | 135 | 95 |