

### PRODUCT SPECIFICATIONS



4" Recessed Mount with  
4" Frame-in Kit shown

- All-in-one LED luminaire for retrofit, remodel, and new construction
- Slim, drawn aluminum construction
- Easy, tool-less installation for 4", 5" or 6" recessed housings
- 750 lumens of pleasing, low glare light, powered by Lumileds LEDs
- 120V operation with flicker-free TRIAC/ELV dimming down to 10%
- 50,000 hour lifetime (L70)
- 5 year limited warranty



Dimmable



50000 hrs  
lifetime



Warranty  
5 yr



UL listed for  
wet location

### Frame-in Kit

**HOUSING:** Die-formed steel with powder coat finish (4" frame-in kit, 4" shallow frame-in kit), 20 ga. die-formed aluminum (5" frame-in kit), 22 ga. die-formed aluminum (6" frame-in kit, 6" shallow frame-in kit).

**JUNCTION BOX:** Galvanized steel. Equipped with (6) 1/2" and (1) 3/4" knockouts with pryout slots to allow straight conduit runs (4" frame-in kit, 4" shallow frame-in kit), equipped with (5) 1/2" and (2) 3/4" knockouts with pryout slots to allow straight conduit runs (5" frame-in kit, 6" frame-in kit, 6" shallow frame-in kit). (4) knockouts for non-metallic sheathed cable installation. Junction box tension spring allows snap-in installation of plate cover for easy access to wiring. Approved for 8 (four-in, four-out) #12 AWG 90 through wire conductors.

**MOUNTING:** (4) tempered steel spring clips secure housing to ceiling.

**CEILING:** 1/2" up to 1".

**CUTOUT:** 4 3/16" (4" frame-in kit, 4" shallow frame-in kit), 5 5/8" (5" frame-in kit), 6 3/8" (6" frame-in kit, 6" shallow frame-in kit).

### Luminaire

**LED:** Tightly binned Lumileds LED.

**LUMEN OUTPUT:** 700 lm (recessed), 750 lm (surface mount).

**POWER:** 13W.

**CRI:** 90+.

**CCT:** 2700K, 3000K, 4000K.

**BINNING:** Color variation within 3-step MacAdam ellipse (SDCM).

**CONNECTOR:** IDEAL PowerPlug® Luminaire Disconnect, female.

**DRIVER:** Integral electronic driver for 120V 50/60Hz operation. Electronic driver compatible with forward and reverse phase-control dimming at 120V only.

**DIMMING:** TRIAC/ELV for 120V only with flicker-free dimming down to 10% of total lumen output.

**LIFETIME:** 50,000 hours at 70% lumen maintenance

**PHOTOMETRIC TESTING:** Tested in accordance to IESNA LM-79-2008.

**TRIM:** Slim, drawn-aluminum construction.

**LISTINGS:** IC rated. cULus Listed. ENERGY STAR® qualified. Title 24 compliant. ASTM E283 certified Air Tight. UL Listed for Wet Location. CEC listed.

**WARRANTY:** 5 year limited warranty.

### Installation

**HOUSINGS:** Compatible with 4" frame-in kits (4" surface mount, 4" recessed); 4", 5" and 6" frame-in kits (6" surface mount); 6" frame-in kits (6" recessed).

Product Code:		Type:	
Project:		Contact:	Date:



### PRODUCT SELECTION GUIDE

---

#### FRAME-IN KIT (Product Code Example: DRDHRIC4)

PRODUCT CODE	APPLICATION	IC/NON-IC	APERTURE
<b>DRDH</b> Housing	<b>R</b> Remodel	<b>IC</b> Insulation Contact	<b>4</b> 4" Aperture
			<b>4S</b> 4" Shallow
			<b>5</b> 5" Aperture
			<b>6</b> 6" Aperture
			<b>6S</b> 6" Shallow

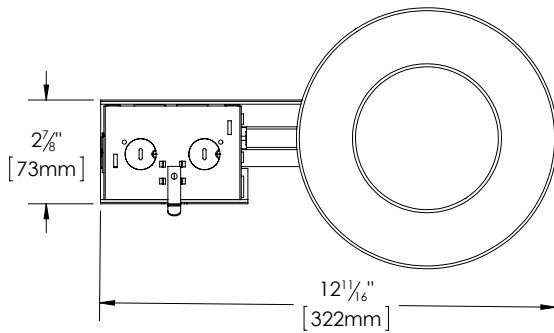
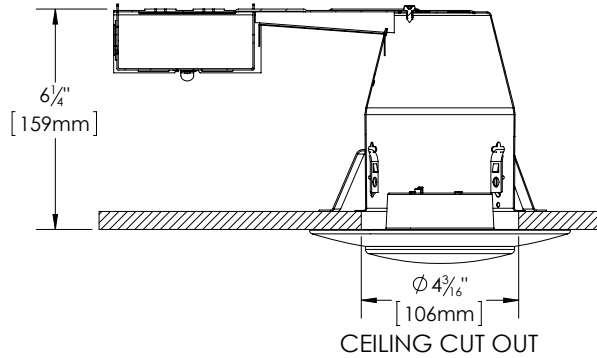
#### LUMINAIRE (Product Code Example: DRD1S427)

PRODUCT CODE	PROFILE	CCT
<b>DRD1</b> Luminaire	<b>S4</b> 4" Surface Mount	<b>27</b> 2700K
	<b>S6</b> 6" Surface Mount	<b>30</b> 3000K
	<b>R4</b> 4" Recessed	<b>40</b> 4000K
	<b>R6</b> 4" Recessed	

## FRAME-IN KIT DIMENSIONS

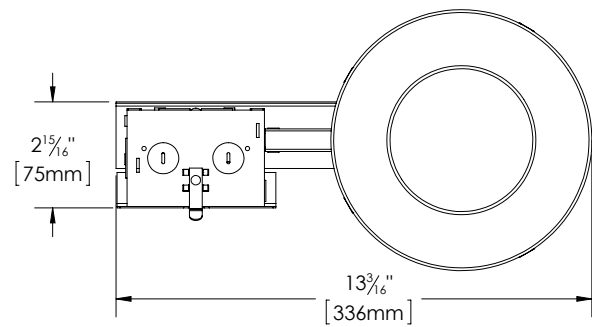
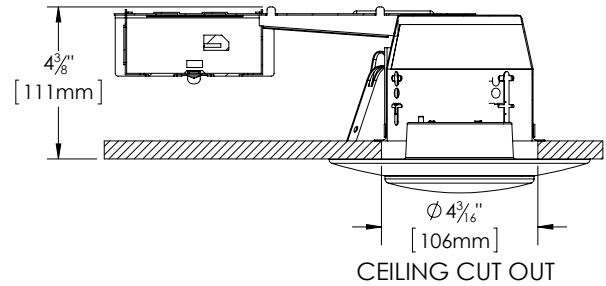
### DRDHRIC4

#### 4" Remodel IC Frame-in Kit



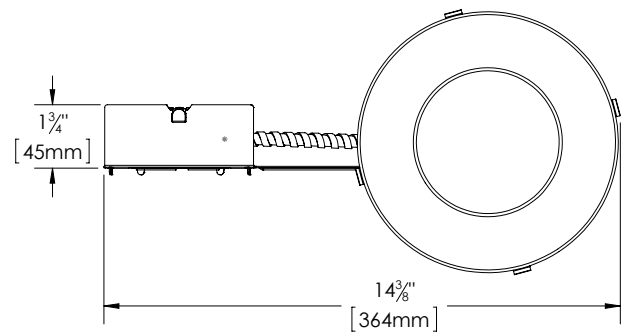
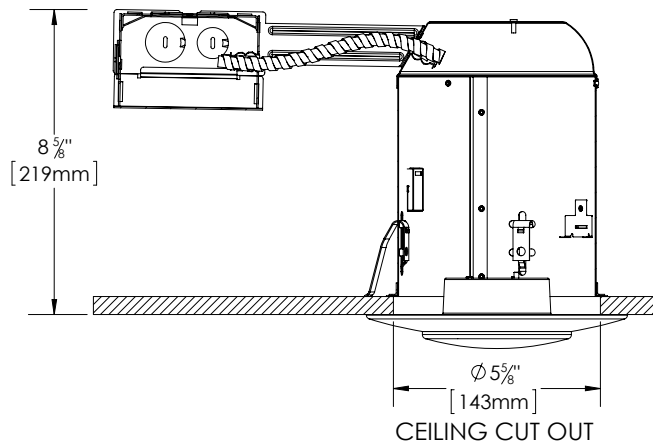
### DRDHRIC4S

#### 4" Shallow Remodel IC Frame-in Kit



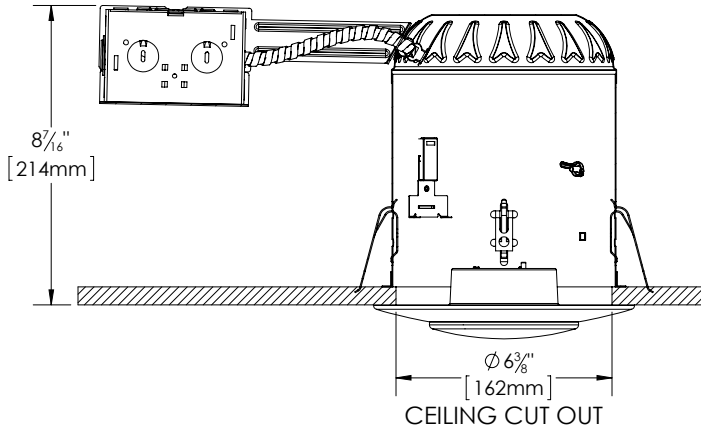
### DRDHRIC5

#### 5" Remodel IC Frame-in Kit

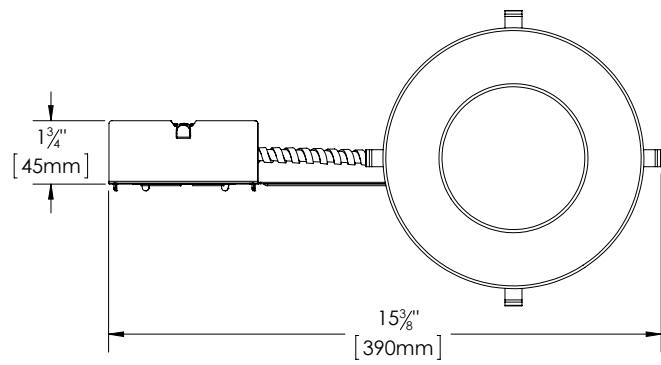
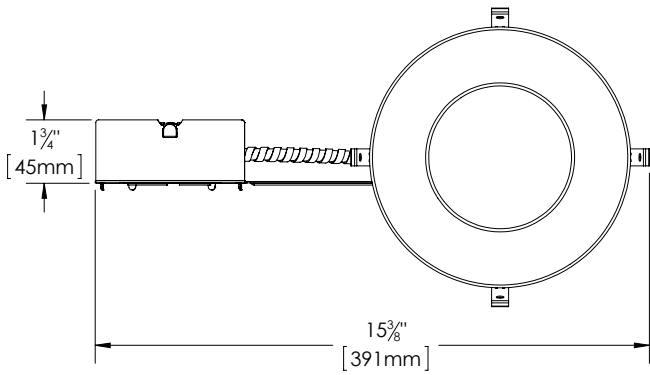
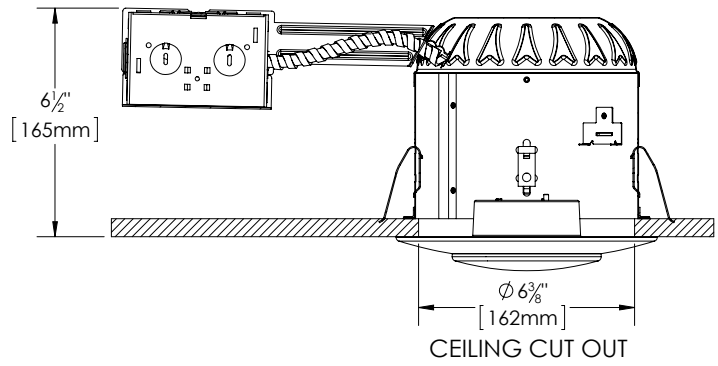


### FRAME-IN KIT DIMENSIONS

**DRDHRIC6**  
6" Remodel IC Frame-in Kit



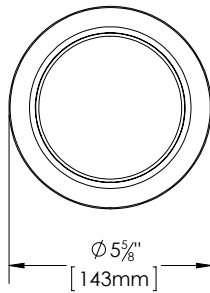
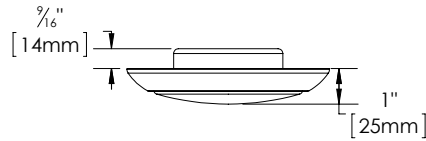
**DRDHRIC6S**  
6" Shallow Remodel IC Frame-in Kit



### LUMINAIRE OVERVIEW

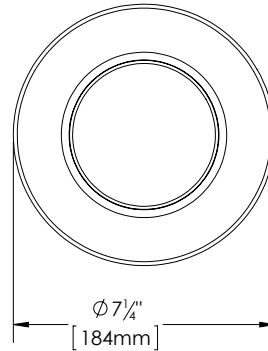
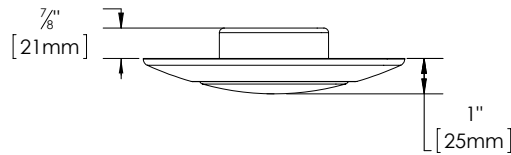
**DRD1S4**

4" Surface Mount LED



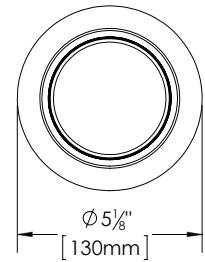
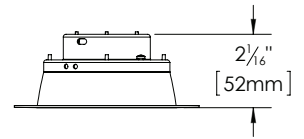
**DRD1S6**

6" Surface Mount LED



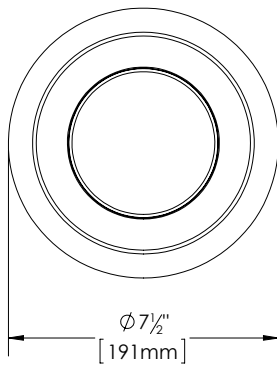
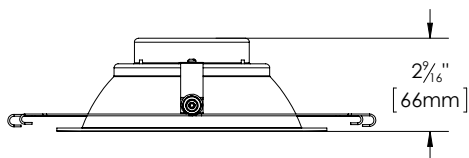
**DRD1R4**

4" Recessed LED



**DRD1R6**

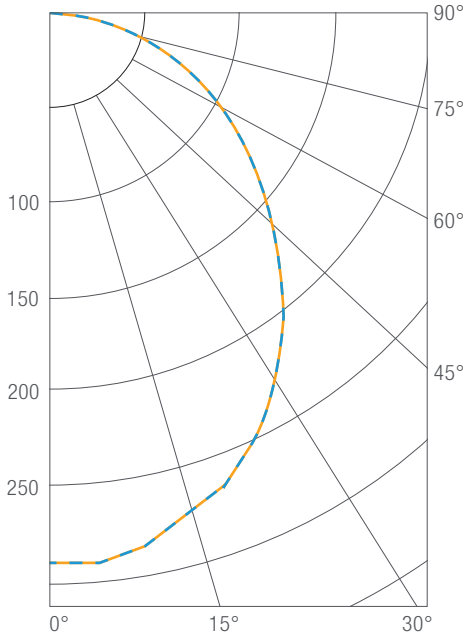
6" Recessed LED



	DRD1S	DRD1R
Total Delivered Lumen Output (lm)	750	700
Total Rated Power (W)	13.0	13.0
Efficacy (lm/W)	58	54
Color Rendering Index	90+	
CCT Options	2700K, 3000K, 4000K	
Optics	Wide Flood	Flood
Binning	3-step SDCM	
Lifetime (L70)	50,000 hours	
Max Ambient Operating Temperature	40°C	
Input Voltage (V)	120V, 50/60Hz	
Input Current at 120V (Max)	0.11A	
Power Factor	>0.9	
Total Harmonic Distortion	<13%	
Dimming	100% - 10%	

### PHOTOMETRICS

Luminaire: **DRD1Sx30** (DRD1 Surface Mount Luminaire, 750 lm, 90 CRI, 3000K)



cd — C0 - C180 — C90 - C270 755 lm

#### Luminous Intensity

Gamma	C 0°
0.0°	290
5.0°	291
10.0°	286
15.0°	276
20.0°	265
25.0°	251
30.0°	232
35.0°	213
40.0°	192
45.0°	169
50.0°	148
55.0°	127
60.0°	106
65.0°	86
70.0°	68
75.0°	50
80.0°	30
85.0°	12
90.0°	0

Values in candela

#### Zonal Lumen Summary

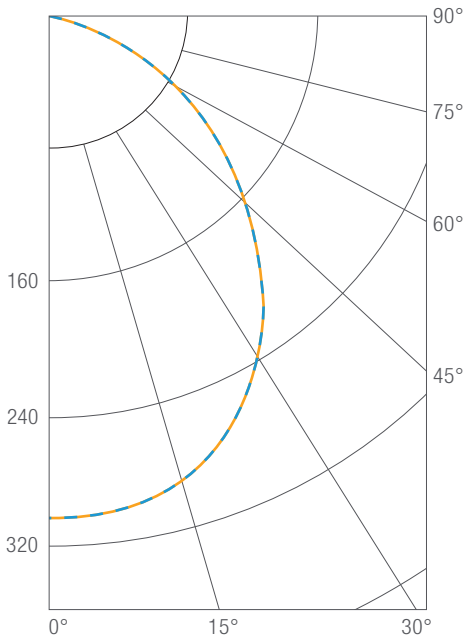
LED Module	Flux (lm)	Power (W)	Downlight Spacing (ft)	Average Illuminance (fcd)	Max/Min	LPD (W/sq ft)
DRD1S430 DRD1S630	755	13.0	4 x 4	47	1.44	0.79
			6 x 6	23	1.20	0.42
			8 x 8	12	1.40	0.20

Calculation Area: 50' (L) x 40' (W) x 10' (H)  
LLF 1.0, 80/50/20 Reflectance, 2.5' (H) Workplane  
Spacing Criteria: 1.22

#### Zonal Lumen Summary

Zone	Lumens	Luminaire %
0-30	221	29
0-40	354	47
0-60	600	80
0-90	755	100
0-180	755	100

Luminaire: **DRD1R430** (DRD1 4" Recessed Luminaire, 700 lm, 90 CRI, 3000K)



cd — C0 - C180 — C90 - C270 710 lm

#### Luminous Intensity

Gamma	C 0°
0.0°	303
5.0°	303
10.0°	300
15.0°	293
20.0°	283
25.0°	268
30.0°	249
35.0°	226
40.0°	200
45.0°	171
50.0°	142
55.0°	112
60.0°	85
65.0°	62
70.0°	42
75.0°	27
80.0°	16
85.0°	10
90.0°	3

Values in candela

#### Zonal Lumen Summary

LED Module	Flux (lm)	Power (W)	Downlight Spacing (ft)	Average Illuminance (fcd)	Max/Min	LPD (W/sq ft)
DRD1R430	755	13.0	4 x 4	42	1.43	0.78
			6 x 6	21	1.15	0.41
			8 x 8	11	1.35	0.19

Calculation Area: 50' (L) x 40' (W) x 10' (H)  
LLF 1.0, 80/50/20 Reflectance, 2.5' (H) Workplane  
Spacing Criteria: 1.22

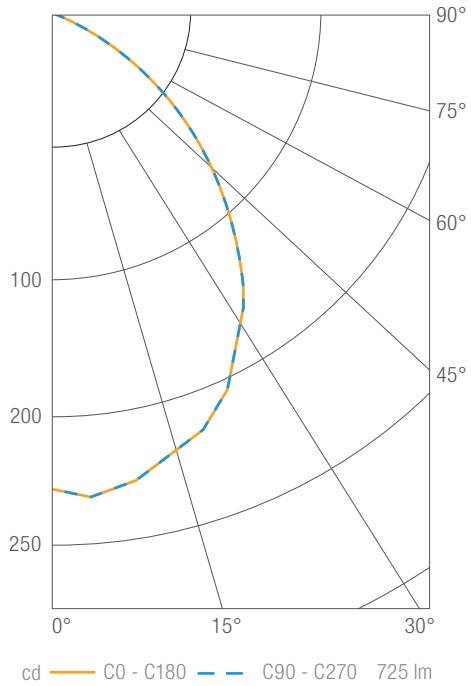
#### Zonal Lumen Summary

Zone	Lumens	Luminaire %
0-30	235	33
0-40	376	53
0-60	608	86
0-90	710	100
0-180	710	100



### PHOTOMETRICS

Luminaire: **DRD1R630** (DRD1 6" Recessed Luminaire, 700 lm, 90 CRI, 3000K)



#### Luminous Intensity

Gamma	C 0°
0.0°	357
5.0°	363
10.0°	356
15.0°	344
20.0°	332
25.0°	310
30.0°	281
35.0°	251
40.0°	216
45.0°	176
50.0°	137
55.0°	102
60.0°	70
65.0°	46
70.0°	28
75.0°	15
80.0°	4
85.0°	1
90.0°	0

Values in candela

#### Zonal Lumen Summary

LED Module	Flux (lm)	Power (W)	Downlight Spacing (ft)	Average Illuminance (fcd)	Max/Min	LPD (W/sq ft)
DRD1R630	725	13.0	4 x 4	48	1.37	0.79
			6 x 6	23	1.14	0.42
			8 x 8	12	1.27	0.20

Calculation Area: 50' (L) x 40' (W) x 10' (H)

LLF 1.0, 80/50/20 Reflectance, 2.5' (H) Workplane

Spacing Criteria: 1.22

#### Zonal Lumen Summary

Zone	Lumens	Luminaire %
0-30	274	38
0-40	430	59
0-60	659	91
0-90	725	100
0-180	725	100



## DIMMER COMPATIBILITY

Recommended Phase-control Dimmers (Dims down to 10% nominal measured light output)

Brand	Series	Model Number	Max Load
Control 4	Control 4	C4-APD120	9
Cooper	Decorator	DLC03P, DAL06P	22
Leviton	Decora Sureslide	6615	23
	Vizia	VPE04-ILZ	29
	Vizia	VPE06-ILZ	44
Lutron	Ariadni	AYLV-600P, AYLV-603P	11
	Diva	DVELV-300P, DVELV-303P, DVSCELV-300P, DVSCELV-303P	23
	Maestro	MAELV-600, MAELV-600-S, MSCELV-600M	34
	Maestro Wireless	MRF2-6ND-120, MRF2-6ELV-120	11
	Radio RA2	RRD-6NA	34
	Skylark	S-600	11
	Skylark	S-1000	18
	Skylark	SELV-300	11
Phillips	Sunrise	SLV-600P, SLV-603P	11
		SR400RPC120	31

<sup>1</sup> Dimmer compatibility reflects performance compatibility only. Please reference your local codes for application.