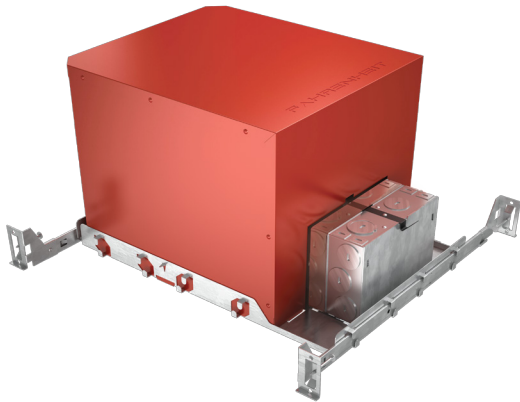




PRODUCT SPECIFICATIONS



- Fire Rated: UL Listed fire resistance rated for up to two hours
- Sound Rated: Constructed to dampen unwanted noise
- IC rated, cULus Listed, UL Fire Listed, ASTM E283 certified Air Tight

Frame-in Kit

HOUSING: Fire and sound-rated housing. Up to 120 minute fire rated L500 (floor-ceiling) & P500 (roof-ceiling) design. Die formed #24 gauge galvanized steel construction. Snap on galvanized cover. Non-combustible matt insulation.

JUNCTION BOX: Pre-wired #18 gauge galvanized steel junction box with (7) 1/2" knockouts and (4) Romex® knockouts and removable plates. Supplied with quick connectors for easy installation. Through branch wiring maximum of (8) #12 AWG 90°C branch circuit connectors (four-in, four-out).

MOUNTING: Pre-installed adjustable bar hangers engineered to accommodate lumber, laminated beams and T-bar.

LAMP SOCKET BASE: Porcelain medium base socket with nickel plated screw shell. Pre-wired with #18 gauge, SF1 junction box leads. Utilizes (1) 120V medium base lamp. Max 50W lamp configuration.

RECOMMENDED LAMP TYPE: Up to 50W BR30, PAR30, PAR20 or A19 LED lamp.

CEILING: 1/2" up to 1".

CUTOUT: 5 3/4" (5" frame-in kit), 6 3/8" (6" frame-in kit).

LISTINGS: IC rated. cULus Classified. UL Fire Listed. ASTM E283 certified Air Tight.

Trim

CONSTRUCTION: Spun aluminum.

Product Code:	Type:	
Project:	Contact:	Date:



PRODUCT SELECTION GUIDE

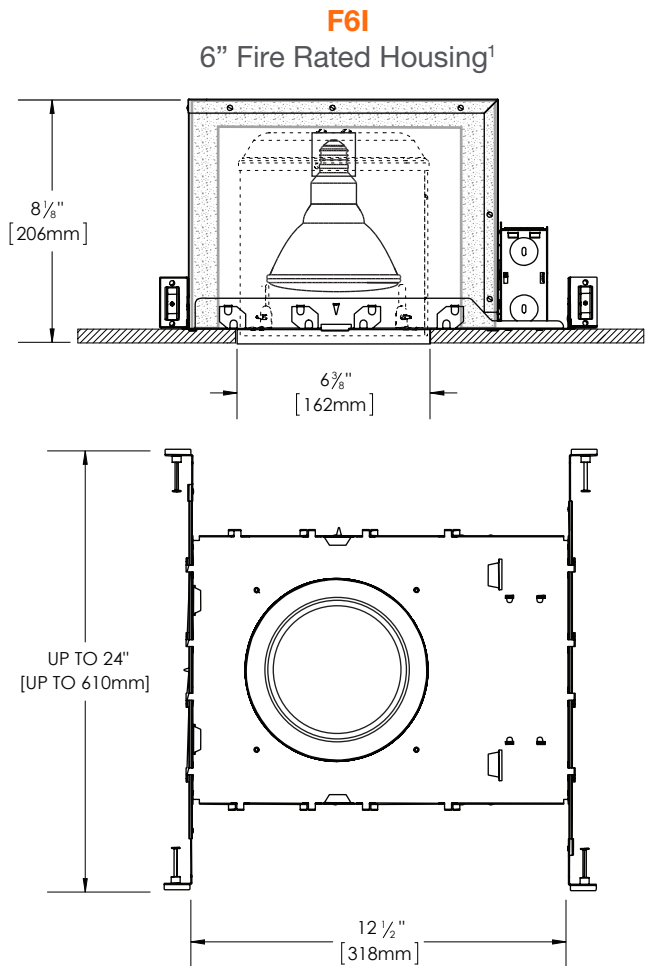
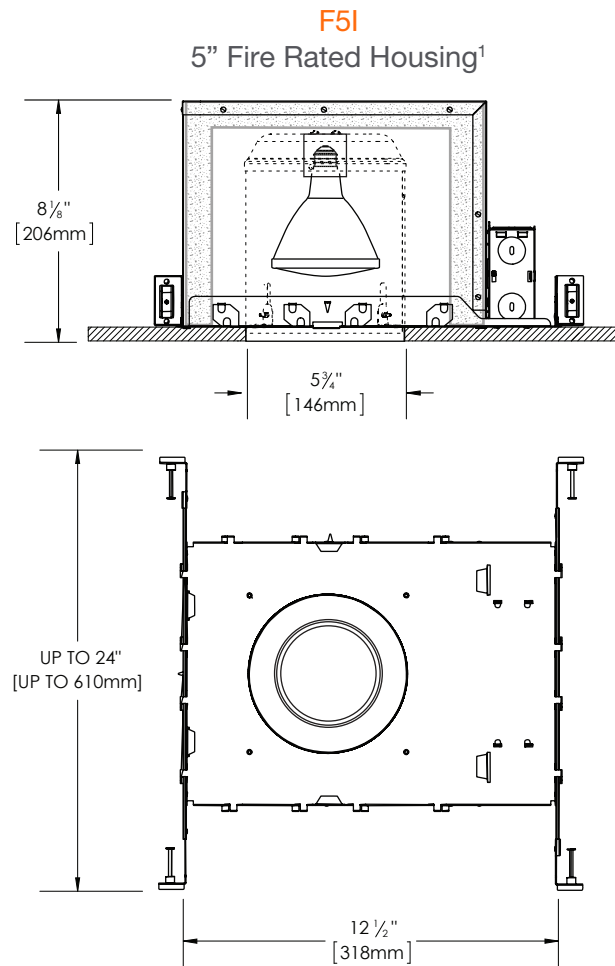
FRAME-IN KIT (Product Code Example: **F5I**)

APERTURE	FIRE RATING
F5I 5" Aperture	[Blank] 1 Hour Fire Rating
F6I 6" Aperture	2 2 Hour Fire Rating

TRIM

PRODUCT CODE	
D530W-AT	5" White Baffle / White Flange
D530B-AT	5" Black Baffle / Black Flange
D600SFCWR	6" Clear / White Flange
D600SFC	6" Clear / Clear Flange
D630W-AT-OR	6" White Baffle / White Flange

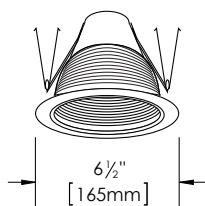
FRAME-IN KIT DIMENSIONS



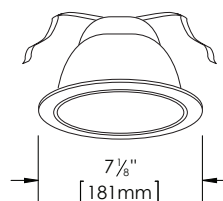
¹ Lamp not included

TRIM DIMENSIONS

D530
Baffle Trim



D600
Smooth Trim



D630
Baffle Trim

