

## Installation Instructions

### Safety Information

---

For your safety, read and understand these instructions completely before starting installation.

The electrical product contained herein is designed to meet the requirements of UL 1598 and the current NFP regulations as published in the NEC. Specific modifications and revisions in your area may differ from this standard. Compliance with local building and electrical codes must be confirmed before installation.

**WARNING - To prevent wiring damage or abrasion, do not pinch or damage exposed wiring during installation. Keep away from edges of sheet metal or other sharp objects.**

**WARNING - Risk of fire or electric shock. Installation of this assembly requires a person familiar with the construction and operation of the luminaire's electrical system and the hazard involved. If not qualified, do not attempt installation. Contact a qualified electrician.**

**WARNING - Risk of fire or electric shock. Do not make or alter any open holes in an enclosure of wiring or electrical components during kit installation.**

**WARNING - Risk of fire or electric shock. Do not alter, relocate or remove wiring, lampholders, power supply, or any other electrical component.**

### Pre-Installation

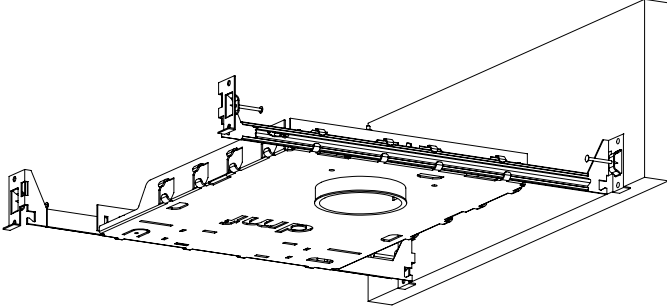
---

Power to luminaire power must be turned off prior to installation. Failure to do so may cause electric shock, which may result in injury or death. Ensure that electrical connection is in accordance with local and NEC standards and that wiring is either 120VAC or 277VAC.

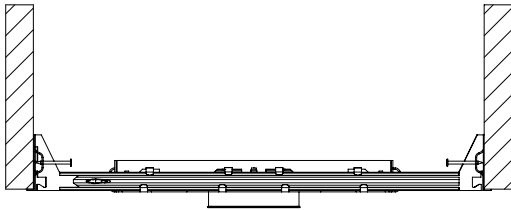
## Installation

For new construction applications, begin on step one.  
For remodel applications, begin on step six.

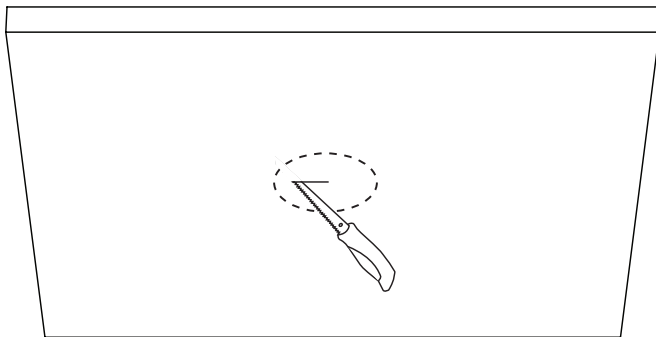
- 1 Locate fixture position.
- 2 Install bar hangers ends into wooden joist by hammering in two nails (factory installed).



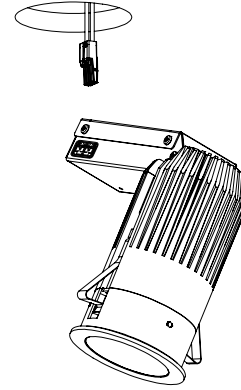
- 3 Install other bar hanger ends into wooden joist by hammering in two nails (factory installed).



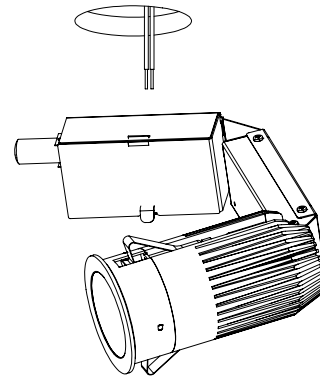
- 4 Adjust horizontal position by sliding housing along bar hangers, locate center according to fixture location.
- 5 Route and size electrical wires (ensure minimum of 6" of excess wiring so module can be removed from ceiling for maintenance/inspection).
- 6 Mark center fixture position on drywall.
- 7 Cut 2 7/8" opening in drywall and install.



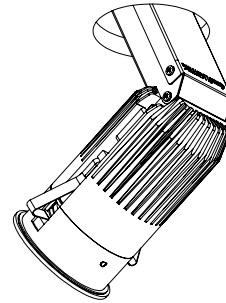
- 8a For new construction application, connect male connector to module female connector.



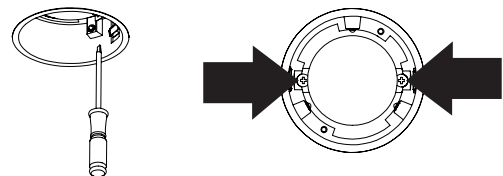
- 8b For remodel application, connect electrical leads to module junction box.



- 9 Insert module into opening. Ensure that clips at end of module clear drywall.



- 10 Tighten module position by turning screws on module.



- 11 Install trim.

