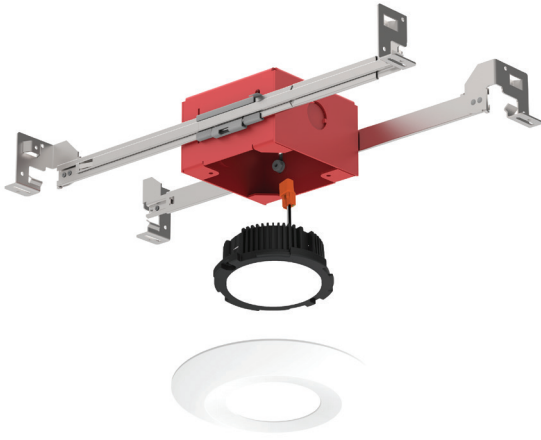


PRODUCT SPECIFICATIONS



- Twist & Lock feature for easy trim installation
- 750 & 1000 lumen outputs
- 2700K, 3000K, 3500K, 4000K CCT
- Flicker-free TRIAC/ELV dimming
- 50,000 hr lifetime at 70% lumen maintenance
- 5 year limited warranty



2 hour fire rated



STC/IIC sound rated



IC rated



5_{yr} Warranty



50k 50000 hrs lifetime

Frame-in Kit

JUNCTION BOX: Equipped with (4) 1/2" trade size knockouts (two side, two top) to allow straight conduit runs. Approved for 8 (four in, four out) #12 AWG 90°C through wiring conductors.

MOUNTING: Pre-installed mounting brackets allow vertical adjustment of bar hangers up to 1".

CEILING: 1/2" up to 1 1/4".

CUTOUT: 3 7/8" square.

LISTINGS: Metallic outlet box certified UL514A. Code compliant for use in appropriate fire-rated assemblies for up to 2-hours. STC/IIC Sound Rated. ASTM E283 certified Air Tight. IC (Insulation Contact) rated (750 lm module).

Light Engine

LED: Tightly binned, high performing white Cree® LED.

LUMEN OUTPUT (POWER): 750 lm (10.8W), 1000 lm (12.8W).

COLOR QUALITY: 93+ CRI, 2-step SDCM.

CCT OPTIONS: 2700K, 3000K, 3500K, 4000K.

CONNECTOR: PowerPlug® Luminaire Disconnect Model 182.

INPUT VOLTAGE: 120/277V.

DIMMING: Down to less than 5% for TRIAC/ELV at 120V.

LIFETIME: 50,000 hours at 70% lumen maintenance.

PHOTOMETRIC TESTING: Tested in accordance to IESNA LM-79-2008.

LISTINGS: ENERGY STAR® qualified. California Title 24 2016 JA8 compliant. UL Listed for Wet Location. cULus Listed.

WARRANTY: 5 year limited warranty.

Trim

CONSTRUCTION: Die-cast aluminum. Twist & Lock mounting allows easy tool-free field installation and tight ceiling fit.

Product Code:	Type:	
Project:	Contact:	Date:



PRODUCT SELECTION GUIDE

FRAME-IN KIT (Product Code Example: DRDH + N + J = DRDHNJ)

PRODUCT CODE	APPLICATION	APERTURE
<input type="text"/>	<input type="text"/>	<input type="text"/>
DRDH Housing	N New Construction	J Junction Box

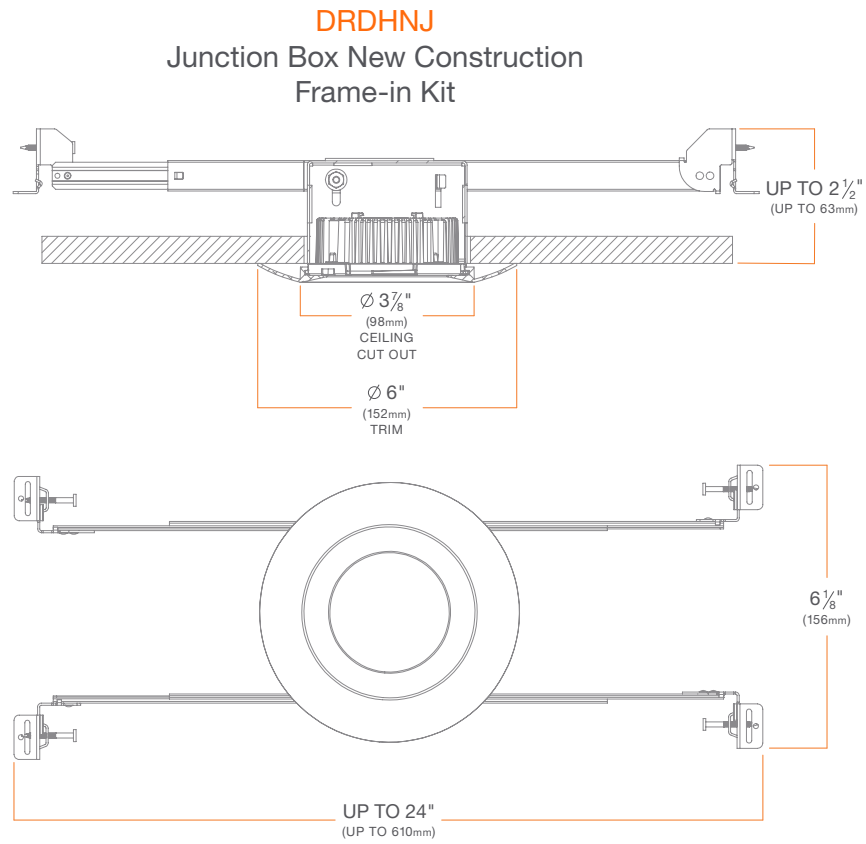
LIGHT ENGINE (Product Code Example: DRD2M + 7 + 9 + 27 = DRD2M7927)

PRODUCT CODE	LUMENS (WATTS)	CRI	CCT
<input type="text"/>	<input type="text"/>	<input type="text"/>	<input type="text"/>
DRD2M Module	7 750 lm (10.8W)	9 93+ CRI	27 2700K
	10 1000 lm (12.8W)		30 3000K
			35 3500K
			40 4000K

TRIM (Product Code Example: DRD2T + R + J + S + WH = DRD2TRJSWH)

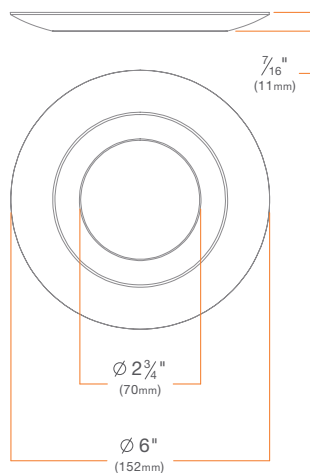
PRODUCT CODE	SHAPE	APERTURE	STYLE	FINISH
<input type="text"/>	<input type="text"/>	<input type="text"/>	<input type="text"/>	<input type="text"/>
DRD2T Trim	R Round	J Junction Box	S Smooth	WH White

FRAME-IN KIT DIMENSIONS



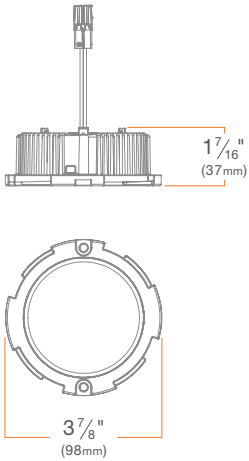
TRIM DIMENSIONS

DRD2TRJ
Junction Box Trim



LIGHT ENGINE OVERVIEW

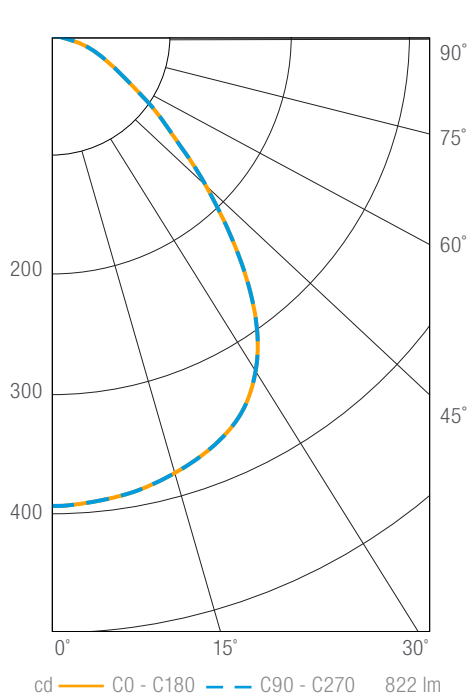
DRD2M
LED Module



	DRD2M7	DRD2M10
Total Module Lumen Output (lm)	750	1000
Total Rated Power (W)	10.8	12.8
Efficacy (lm/W)	80	85
Color Rendering Index	93+	
CCT Options	2700K, 3000K, 3500K, 4000K	
Optics	Flood	
Binning	2-step SDCM	
Lifetime (L70)	50,000 hours	
Max Ambient Operating Temperature	40°C	
Input Voltage (V)	120/277V, 50/60Hz	
Input Current at 120V (Max)	0.090	0.107
Input Current at 277V (Max)	0.042	0.050
Power Factor	>0.9	
Total Harmonic Distortion	<20%	
Dimming	100% - 5%	

PHOTOMETRICS

Light Engine: **DRD2M7930** (DRD2 Module, 750 lm, 93 CRI, 3000K)
Trim: **DRD2TRJSWH** (DRD2 Trim, Junction Box, Smooth, White)



Luminous Intensity

Gamma	C 0°
0°	393
5°	391
10°	388
15°	381
20°	372
25°	360
30°	338
35°	301
40°	248
45°	190
50°	140
55°	101
60°	73
65°	54
70°	39
75°	25
80°	11
85°	0
90°	0

Values in candela

Zonal Lumen Summary

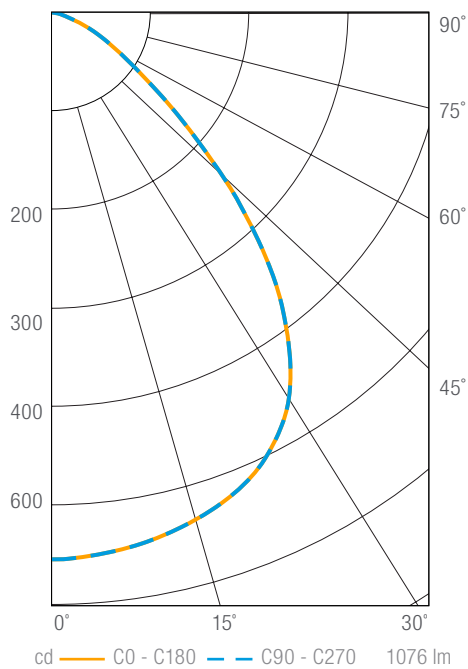
Zone	Lumens	Luminaire %
0-30	310	38
0-40	496	60
0-60	738	90
0-90	822	100
0-180	822	100

Illuminance Chart

Distance from LED	Foot Candles	Diameter
2.5'	63	4.9'
5.0'	16	10.0'
7.5'	7	14.7'
9.0'	5	17.6'

Beam Angle: 88°

Light Engine: **DRD2M10930** (DRD2 Module, 1000 lm, 93 CRI, 3000K)
Trim: **DRD2TRJSWH** (DRD2 Trim, Junction Box, Smooth, White)



Luminous Intensity

Gamma	C 0°
0°	554
5°	551
10°	545
15°	536
20°	523
25°	504
30°	473
35°	422
40°	350
45°	262
50°	177
55°	115
60°	76
65°	49
70°	27
75°	13
80°	6
85°	2
90°	0

Values in candela

Zonal Lumen Summary

Zone	Lumens	Luminaire %
0-30	435	41
0-40	697	65
0-60	1007	94
0-90	1076	100
0-180	1076	100

Illuminance Chart

Distance from LED	Foot Candles	Diameter
2.5'	89	4.9'
5.0'	22	9.7'
7.5'	10	14.6'
9.0'	7	17.5'

Beam Angle: 88°

DIMMER COMPATIBILITY

Recommended Phase-control Dimmers (Dims down to 5% nominal measured light output)

Brand	Series	Model Number	Max Load DRD2M7	Max Load DRD2M10
Control 4	Control 4	C4-APD120	10	9
Cooper	Decorator	DLC03P, DAL06P	25	20
Legrand	Adorne	ADTP703TU	35	30
Lutron	Caseta	PD-6WCL	12	10
	CL Series	AYCL-153, CTCL-153, DVCL-153, LGCL-513, SCL-153, TGCL-513	12	10
	CL Series	AYCL-253, DVCL-253	20	15
	Grafik Eye 3000	QSGR-3P	30	25
	Grafik Sys / Homeworks	RPM-4A	25	20
	Grafik Sys / Homeworks	RPM-4U	30	25
	Maestro CL	MACL-153M, MSCL-OP153M, MSCL-VP153M	12	10
	Maestro Wireless	MRF2-6ELV, MRF2-6CL	12	10
	Radio RA	RRD-6NA, RRD-6CL, RRD-6D	12	10

Compatible Phase-control Dimmers¹ (Dims down to 20% nominal measured light output)

Brand	Series	Model Number	Max Load DRD2M7	Max Load DRD2M10
Cooper	Slide	SLC03P, SAL06P	25	20
Legrand	Harmony	H703PTU, HCL453P	30	25
Leviton	IlumaTech Slide	IPE04	25	20
	SureSlide	6621, 6674	10	10
Lutron	Diva	DV-600	12	10
	Maestro	MA-600	12	9
	Maestro ELV	MAELV-600, MSCELV-600	35	30
	Maestro Wireless	MRF2-6ND	12	10
	Power Booster	PHPM-PA, PHPM-WBX	25	20
	Sunrise	SR400RPC120, ZP260QEW	20	15
Watt Stopper	Digital Light Management	LMRC-221	160	150
	Dimming Sensor	PW-100D	14	12

¹ Dimmer compatibility reflects performance compatibility only. Please reference your local codes for application.