

# DCP9

## LED Pendant





Cord, Stem Mount

Project:	Type:
Product Code:	Date:

Spec Sheet V-02.15.20



- Versatile LED pendant supports the lighting needs of standard open and high ceilings alike
- Produces up to 9,000 lm of commercial high-lumen illumination
- Die-cast aluminum with no visible hardware for a sleek, completely symmetrical design
- Precision-injected, frosted prismatic shade
- Customizable with multiple mounting and finish options

<b>Lumen Output</b> 1500 lm (15W), 2000 lm (23W), 3000 lm (32W), 4000 lm (43W), 5000 lm (55W), 9,000 lm (107W)		<b>Mount</b> Stem, Cord
<b>Color Quality</b> 90+ CRI, 2-step SDCM		<b>Cord/Stem Length</b> Cord: 96"; Stem: 24" (standard) up to 96" (custom)
<b>Color Temperature*</b>   3500K    4000K		<b>Pendant Finish</b> White, Black, Brushed Aluminum
<b>Input Voltage</b> 120/277V		<b>Shade Diameter</b> 16"
<b>Dimming</b> 0-10V, Lutron Hi-lume®		<b>Shade Finish</b> Frosted
<b>Emergency Lighting</b> Optional Emergency LED Driver for lighting up to 90 minutes in event of power failure		
<b>Standards</b>  		<b>Guarantee</b> 50,000 hrs   5 years

\* For more options, consult factory

**PRODUCT BUILDER**
**LED PENDANT**

PRODUCT CODE		MOUNT		LUMENS		CCT		FINISH		DRIVER	
<b>DCP9</b>	Pendant	<b>CM</b>	Cord Mount <sup>1,2</sup>	<b>01</b>	1500 lm	<b>35</b>	3500K	<b>WH</b>	White	<b>O</b>	0-10V
		<b>TM</b>	Stem Mount <sup>1</sup>	<b>02</b>	2000 lm	<b>40</b>	4000K	<b>BK</b>	Black	<b>C</b>	Lutron LDE1 <sup>4</sup>
				<b>03</b>	3000 lm			<b>BA</b>	Brushed Aluminum	<b>L</b>	Lutron LTEA2W <sup>5</sup>
				<b>04</b>	4000 lm					<b>OE</b>	0-10V, Emergency Driver <sup>6</sup>
				<b>05</b>	5000 lm <sup>3</sup>					<b>CE</b>	Lutron LDE1, Emergency Driver <sup>4,6</sup>
				<b>09</b>	9000 lm <sup>3</sup>					<b>LE</b>	Lutron LTEA2W, Emergency Driver <sup>5,6</sup>

**SHADE**

PRODUCT CODE		SHAPE		DIAMETER		STYLE		FINISH	
<b>DCPS</b>	Shade	<b>R</b>	Round	<b>16</b>	16" Diameter	<b>P</b>	Prismatic	<b>FR</b>	Frosted

**ACCESSORIES**

<b>DCP9-CCM-XX</b>	Custom Length Cord Mount (up to 96") <sup>1</sup>
<b>DCP9-CTM-XX</b>	Custom Length Stem Mount (up to 96") <sup>1</sup>

<sup>1</sup> Cord: 96" length; Stem: 24" length (standard), up to 96" (custom)

<sup>2</sup> White cord standard for White finish, black cord standard for Black finish, silver cord standard for Brushed Aluminum finish; unless specified otherwise

<sup>3</sup> Only compatible with 0-10V driver

<sup>4</sup> Lutron LDE1 Dimming refers to Lutron Hi-lume 1% EcoSystem LED driver with Soft-on, Fade-to-Black

<sup>5</sup> Lutron LTEA2W Dimming refers to Lutron Hi-lume 1% 2-wire LED driver, 120V only

<sup>6</sup> Not compatible with 9000 lm

## PRODUCT SUMMARY



## SUMMARY

**LED:** Cree® LED

**DELIVERED LUMENS:** 1500 lm (15W), 2000 lm (23W), 3000 lm (32W), 4000 lm (43W), 5000 lm (55W), 9,000 lm (107W)

**EFFICACY:** 100 lm/W, 87 lm/W, 94 lm/W, 93 lm/W, 91 lm/W, 84 lm/W

**COLOR QUALITY:** 90+ CRI, 2-step SDCM

**CCT:** 3500K, 4000K

**DIMMING:** Down to less than 1% for 0-10V or Lutron Hi-lume® 1%

**INPUT VOLTAGE:** 120/277V, 50/60Hz

**MAX INPUT CURRENT (120V):** 0.11 amps, 0.15 amps, 0.25 amps, 0.34 amps, 0.48 amps, 0.89 amps

**MAX INPUT CURRENT (277V):** 0.05 amps, 0.06 amps, 0.11 amps, 0.15 amps, 0.21 amps, 0.39 amps

**POWER FACTOR:** Greater than 0.9

**TOTAL HARMONIC DISTORTION:** Less than 20%

**AMBIENT OPERATING TEMPERATURE:** -20°C to 40°C

**EMERGENCY LIGHTING:** Optional Emergency LED Driver for lighting up to 90 minutes in event of power failure

**PHOTOMETRIC TESTING:** Tested in accordance to IESNA LM-79-2008

**LISTINGS:** ENERGY STAR® qualified, California Title 24 2016 compliant, ETL Listed

**LIFETIME:** 50,000 hours at 70% lumen maintenance

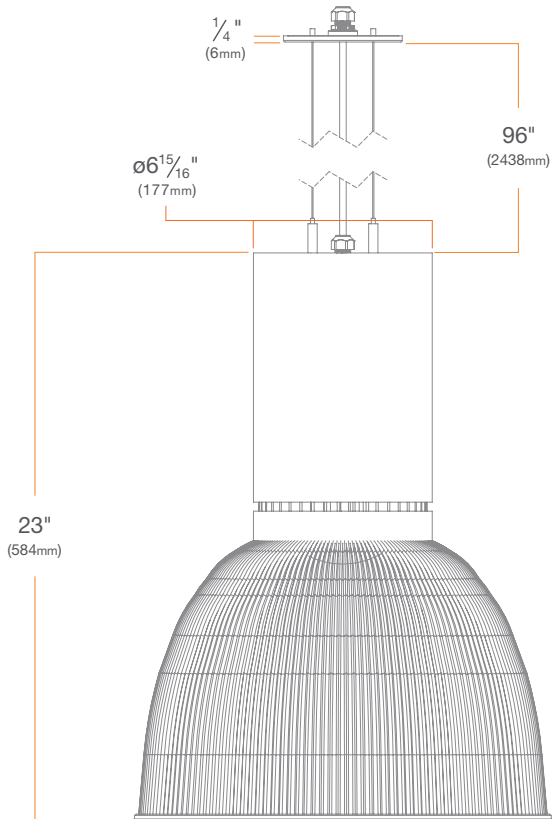
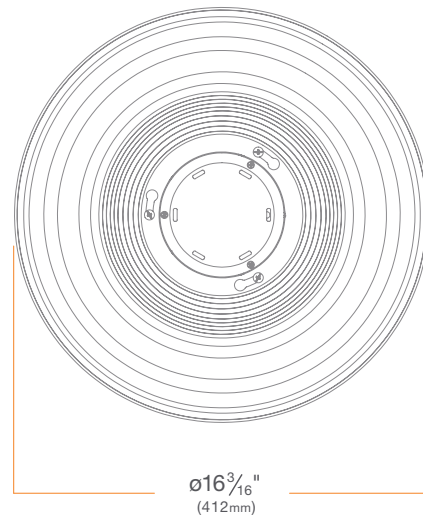
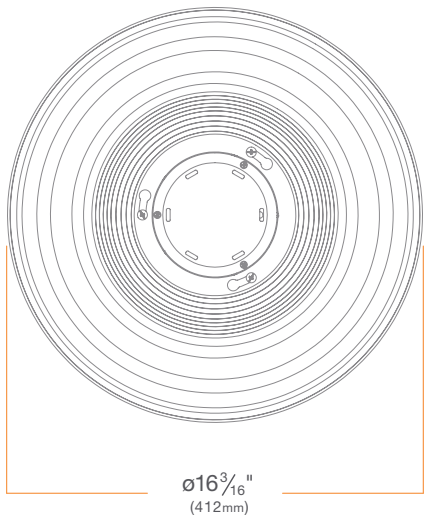
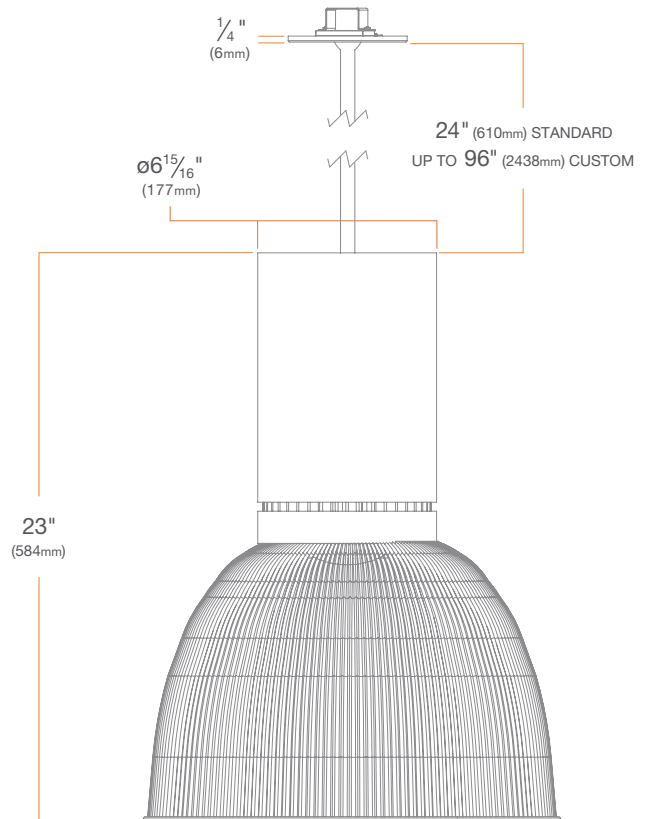
**FINISH:** White, Black, Brushed Aluminum

**CORD:** 96" white, black or silver cord with round canopy

**STEM:** 24" standard (up to 96" custom) painted steel stem with round canopy and hanging straight endpoint with up to 30° tilt (meets CA IR 16-9)

**MOUNT:** Installs in most 3" octagonal, 4" octagonal, 3" round and 4" round boxes

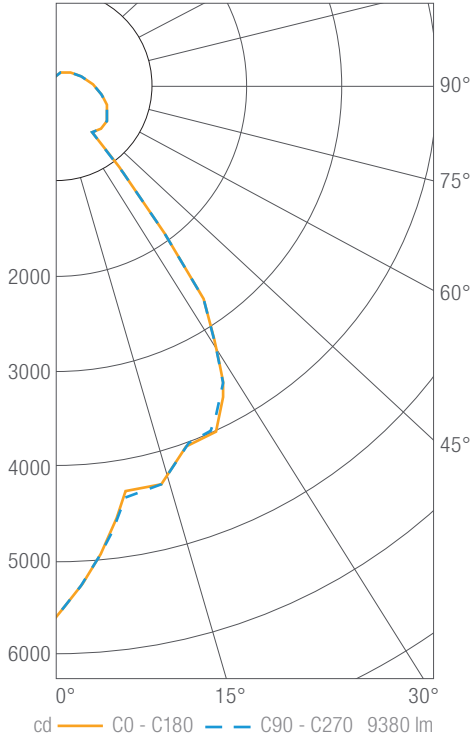
**WARRANTY:** 5 year limited warranty

**PRODUCT DIMENSIONS****Cord Mount  
LED Pendant****DCP9CM****Stem Mount  
LED Pendant****DCP9TM**

PHOTOMETRY

**DCP9** 9000 lm, 3500K **DCP9CM0935WHO**

**Shade Frosted DCPSR16PFR**



Luminous Intensity

Gamma	C 0°	Gamma	C 0°
0°	5602	95°	394
5°	5026	100°	364
10°	4326	105°	334
15°	4324	110°	306
20°	4029	115°	281
25°	4010	120°	259
30°	3570	125°	240
35°	2718	130°	224
40°	626	135°	210
45°	641	140°	198
50°	653	145°	186
55°	648	150°	176
60°	636	155°	165
65°	611	160°	155
70°	580	165°	142
75°	542	170°	123
80°	499	175°	102
85°	459	180°	108
90°	423		

Values in candela

Zonal Lumen Summary

Zone	Lumens	Luminaire %
0-30	3458	37
0-40	4907	52
0-60	5985	64
0-90	7696	82
0-180	9380	100

Illuminance Chart

Distance from LED	Foot Candles	Diameter
12'	39	16.5'
14'	29	19.2'
18'	17	24.7'
20'	14	27.5'

Beam Angle: 68°