



# DCC

## Round/Flat Shade

### DCC Shade Includes



Round Shade

OR



Flat Shade



Shade Insert

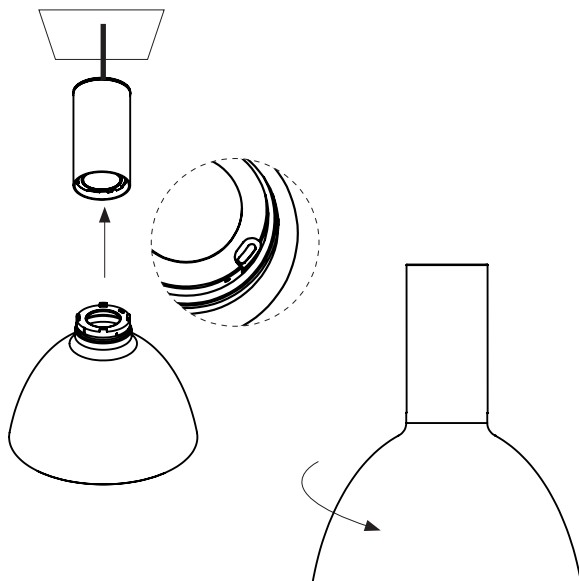


Screw(1)

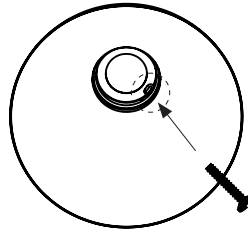
**WARNING: Fingerprints are non-removable. Industrial gloves required during installation.**

## Installation

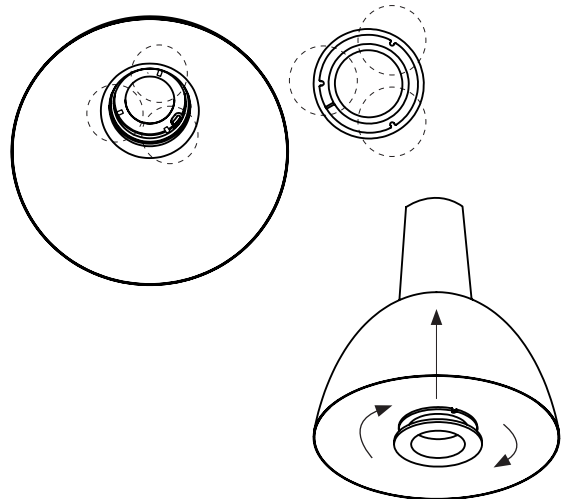
- 1 Align Shade onto Module. Turn clockwise until secure.  
*Note: Shade screw hole must align with empty Module screw hole*



- 2 Secure Shade to Cylinder with Screw (included).



- 3 Align Shade Insert inside of Shade. Turn a quarter of the circumference to secure.



Installation complete!

