



DCC

Round/Flat Shade

DCC Shade Includes



Round Shade

OR



Flat Shade



Shade Insert



Screw(1)

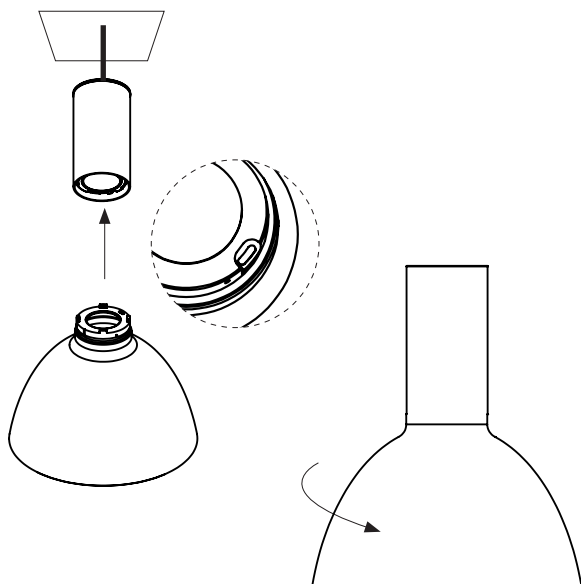


Cylinder

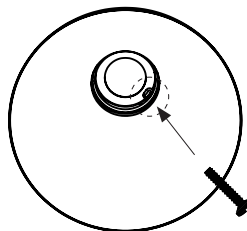
For use with DMF Lighting's DCC Cylinder only

Installation

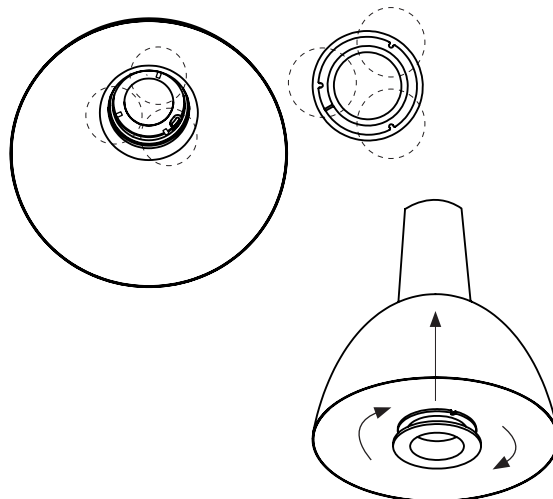
- 1 Align Shade onto Module. Turn clockwise until secure.
Note: Shade screw hole must align with empty Module screw hole



- 2 Secure Shade to Cylinder with Screw (included).



- 3 Align Shade Insert inside of Shade. Turn a quarter of the circumference to secure.



Installation complete!

